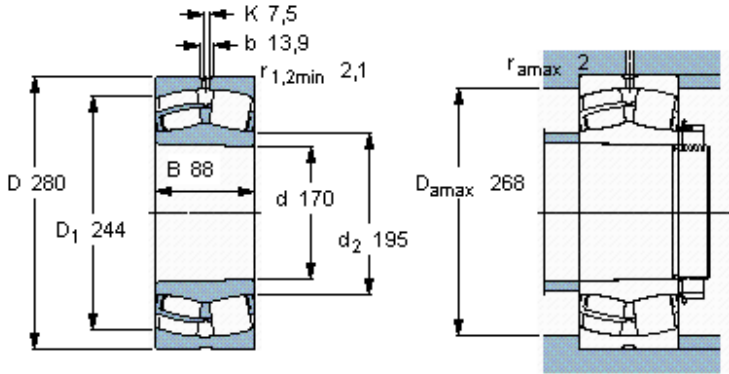


Spherical roller bearings, cylindrical and tapered bore

Principal dimensions			Basic load ratings		Speed ratings		Designation
d	D	B	dynamic C	static C0	Reference speed	Limiting speed	
mm			kN		r/min		
170	280	88	1086	1500	1800	2400	* SKF Explorer bearing 23134 CCK/W33 *



Tapered bore, taper
1: 12

Calculation factors

- e 0,3
- Y₁ 2,3
- Y₂ 3,4
- Y₀ 2,2